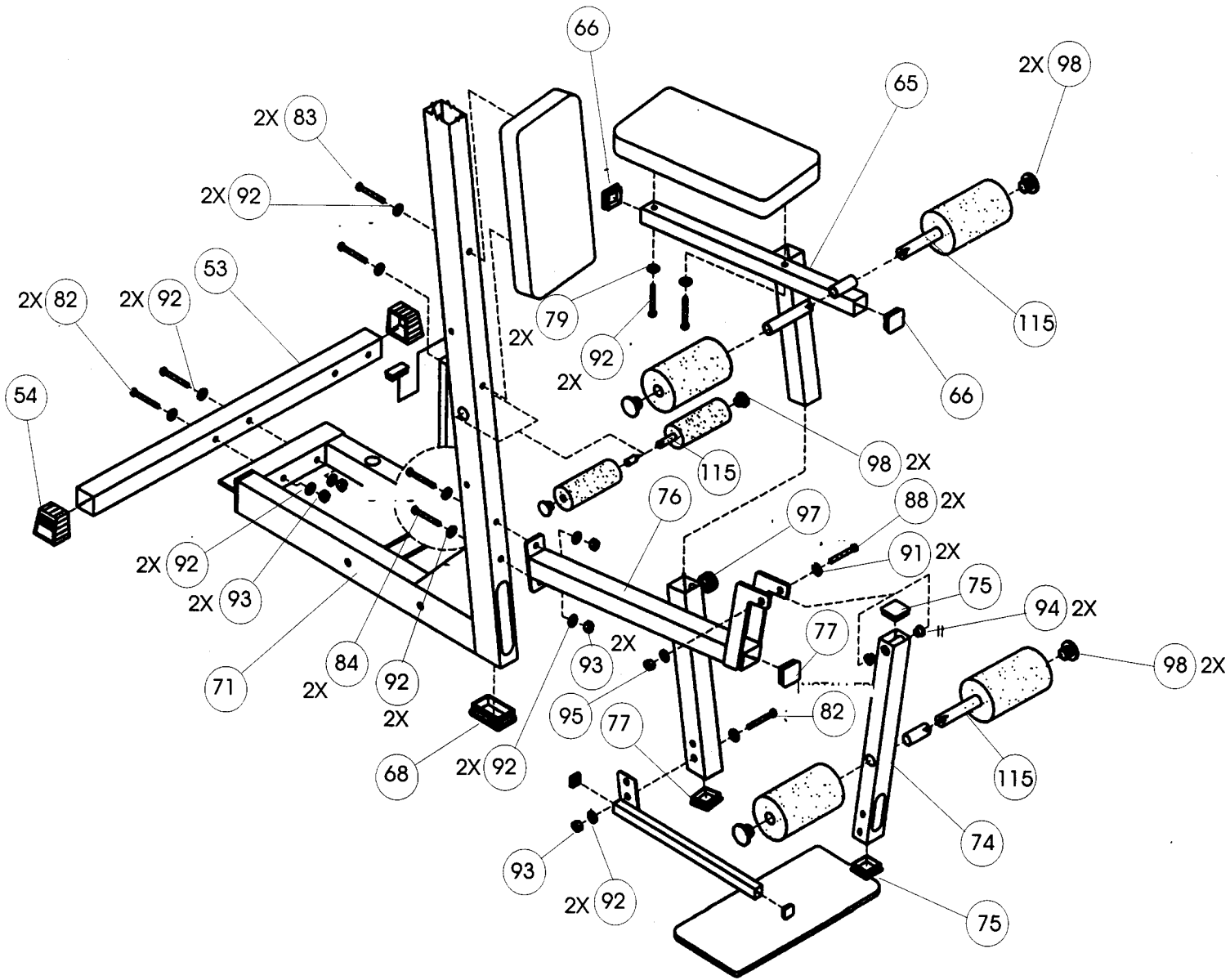
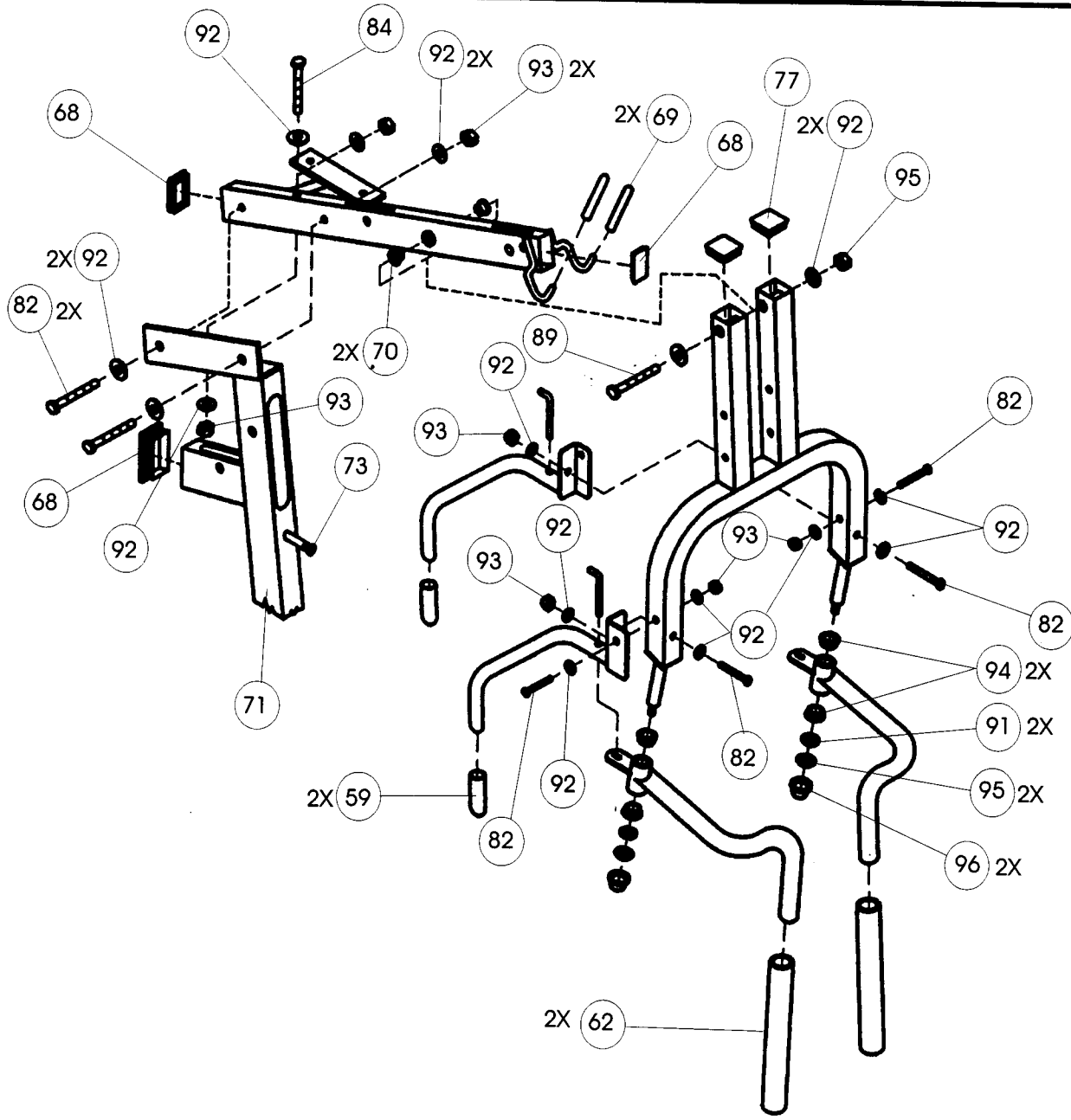


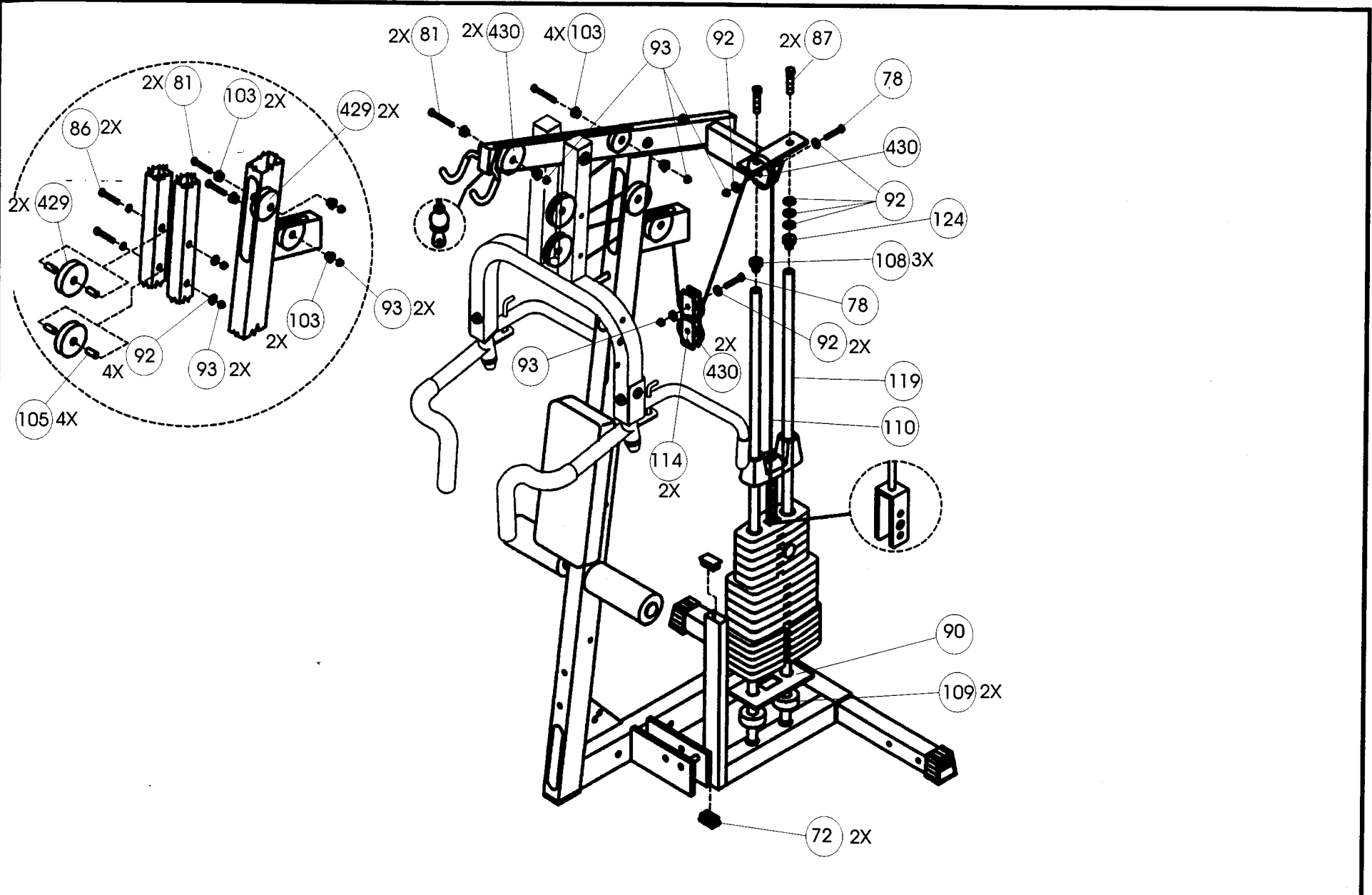
ZUMA	P/N 43399-101	REV: B
DRAWN BY: G DRENNAN	DATE: 12/9/99	Sheet 1 of 10



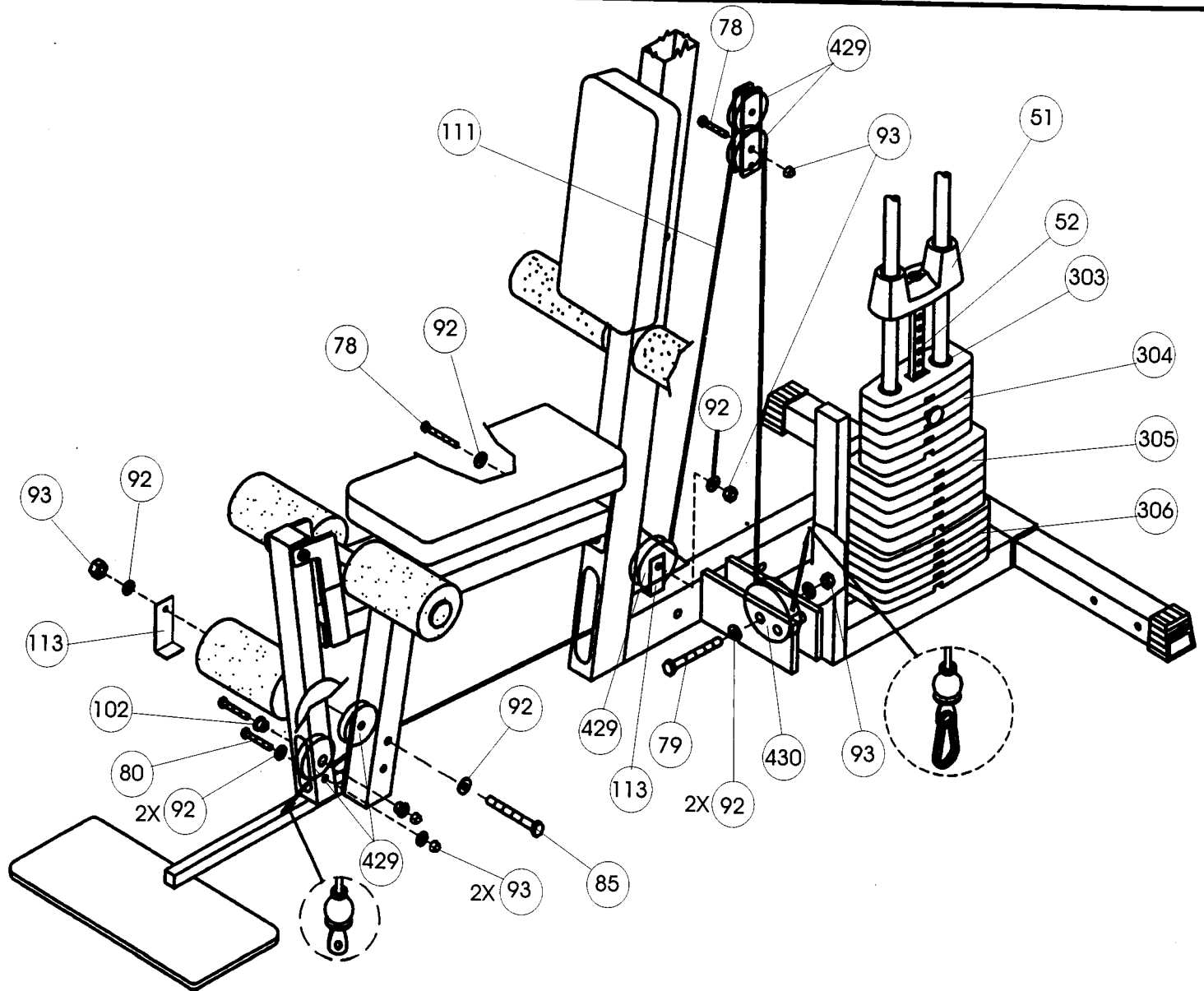
ZUMA	P/N 43399-101	REV: B
DRAWN BY: G DRENNAN	DATE: 12/9/99	Sheet 2 of 10



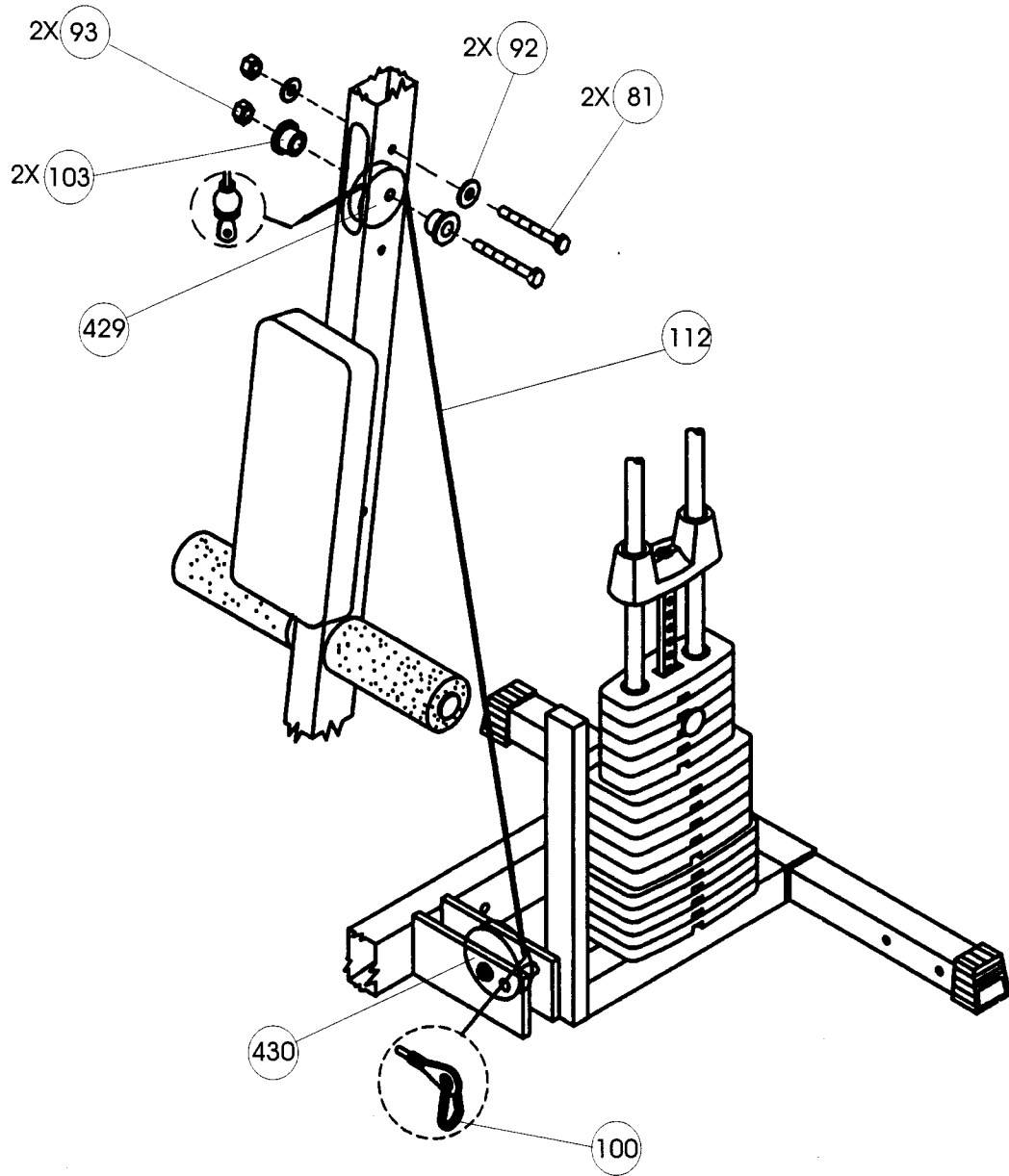
ZUMA	P/N 43399-101	REV: B
DRAWN BY: G DRENNAN	DATE: 12/9/99	Sheet 3 of 10



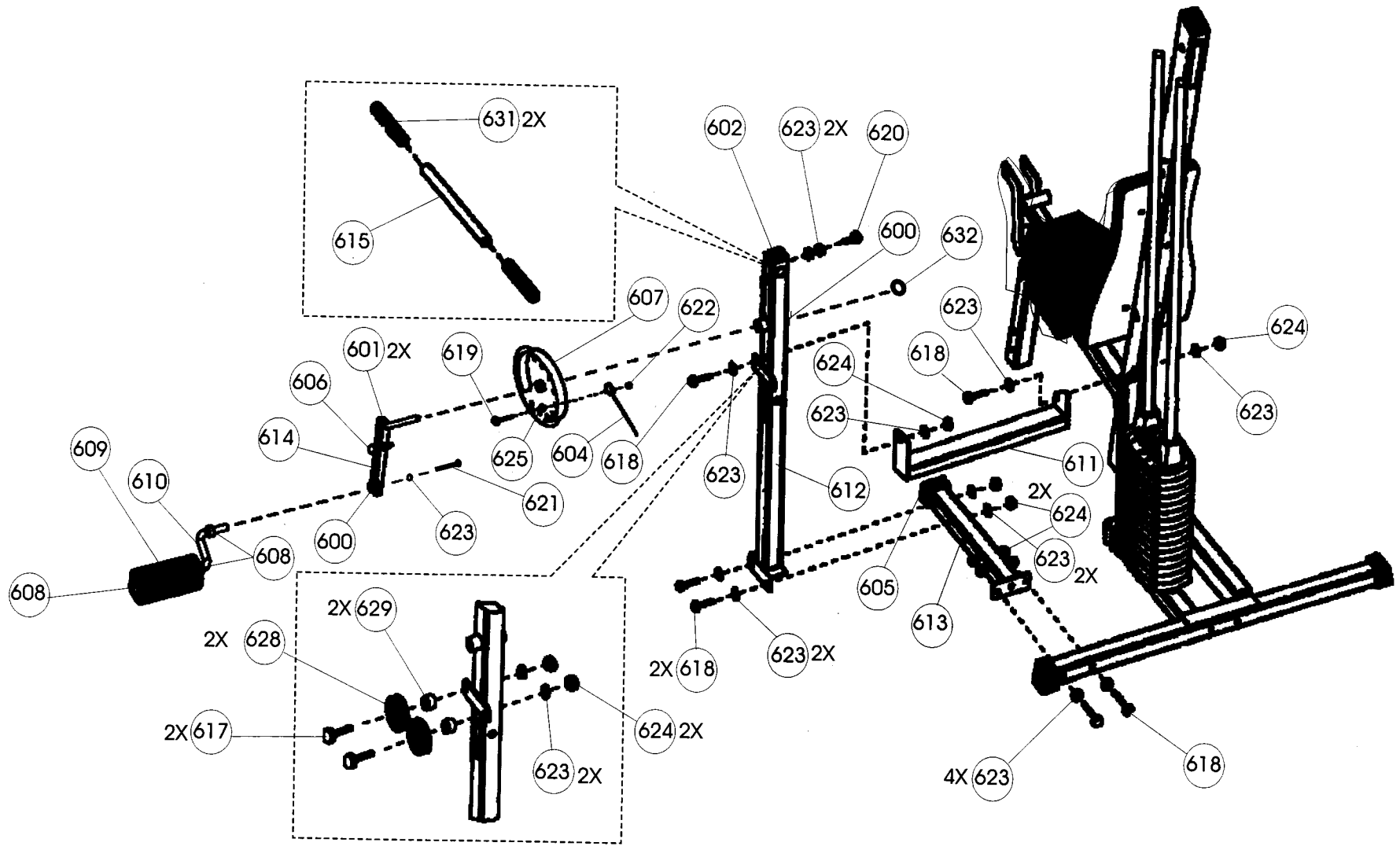
ZUMA	P/N 43399-101	REV: B
DRAWN BY: G DRENNAN	DATE: 12/9/99	Sheet 4 of 10



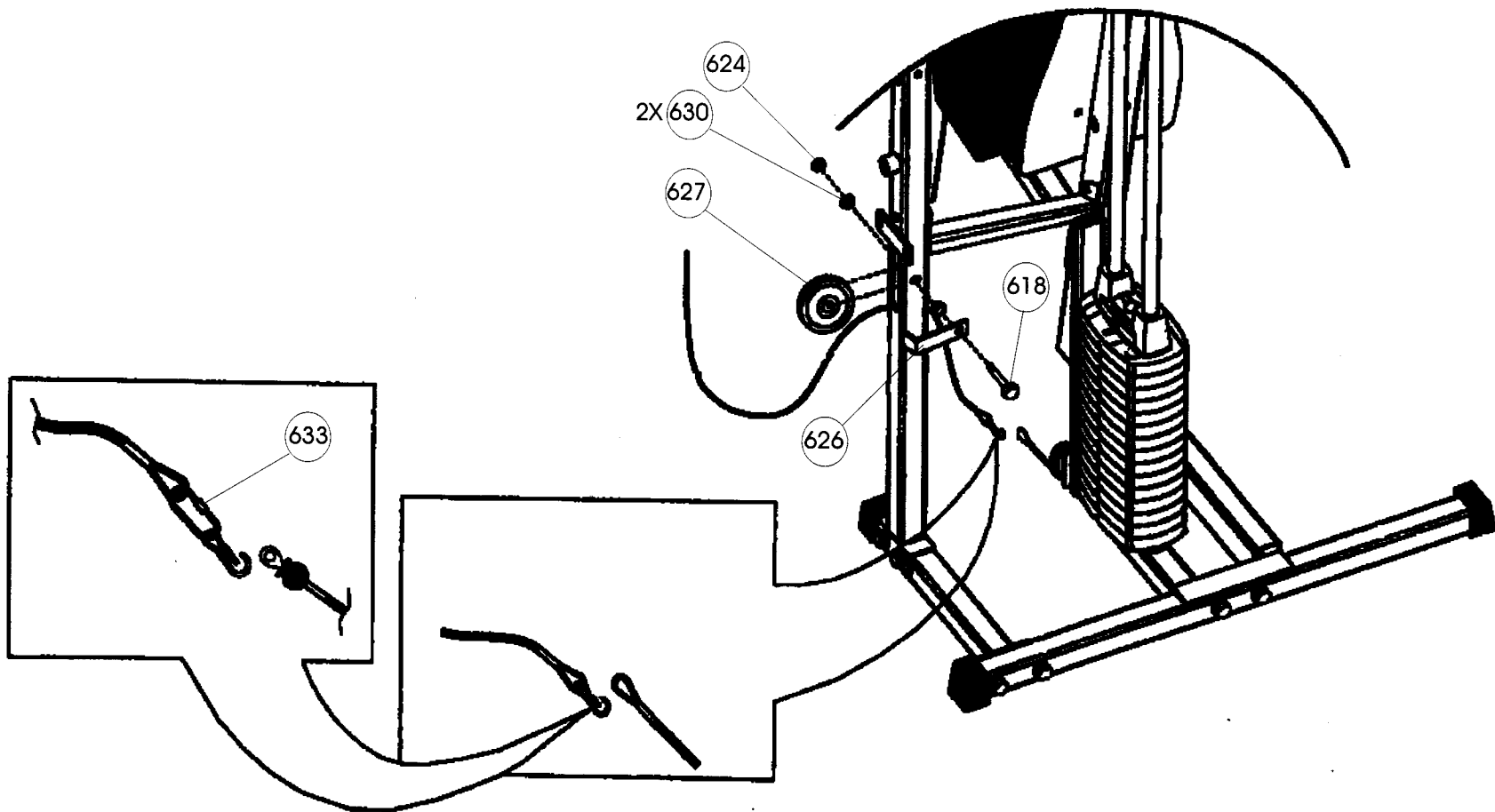
ZUMA	P/N 43399-101	REV: B
DRAWN BY: G DRENNAN	DATE: 12/9/99	Sheet 5 of 10



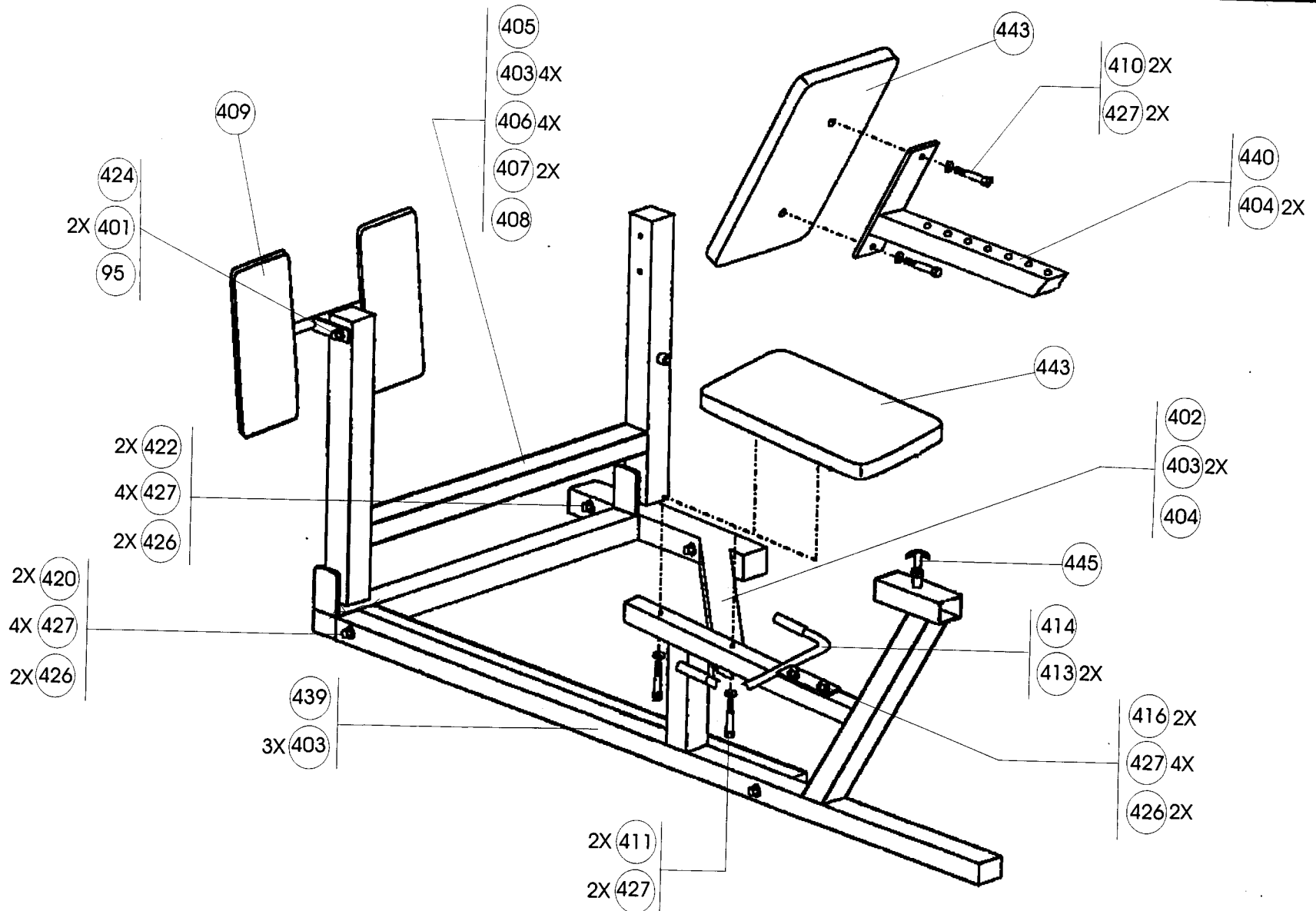
ZUMA	P/N 43399-101	REV: B
DRAWN BY: G DRENNAN	DATE: 12/9/99	Sheet 6 of 10



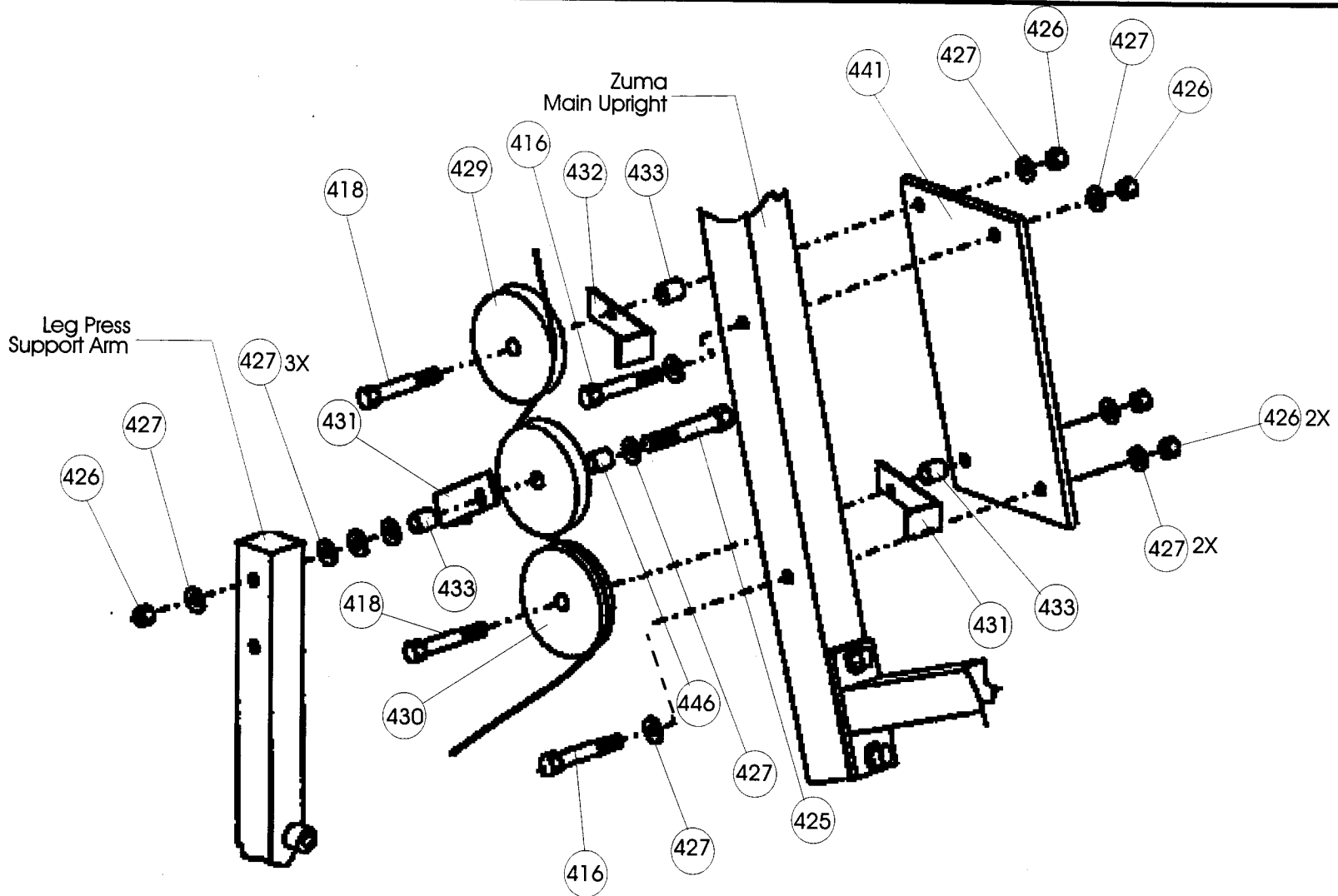
ZUMA	P/N 43399-101	REV. B
DRAWN BY: G DRENNAN	DATE: 12/9/99	Sheet 7 of 10



ZUMA	P/N 43399-101	REV: B
DRAWN BY: G DRENNAN	DATE: 12/9/99	Sheet 8 of 10



ZUMA	P/N 43399-101	REV: B
DRAWN BY: G DRENNAN	DATE: 12/9/99	Sheet 9 of 10



ZUMA	P/N 43399-101	REV: B
DRAWN BY: G DRENNAN	DATE: 12/9/99	Sheet 10 of 10

Zuma (serial code 9J)

Part Number	Description	Bubble Number
40388-101	TOP WEIGHT,CAST IRON	51
42695-101	SELECTOR,15-HOLE,BLUE ZINC	52
40768-101	ENDCAP,2",OUTSIDE FLOOR	54
12097-105	GRIP,HAND DIPPED,12.00" X 1.00" I.D.	56
43373-101	ASSY,CURL BAR,BLACK,ZUMA	57
43375-101	ASSY,ROW HANDLE,LEFT	58
43376-101	GRIP,ROW HANDLE,,ZUMA	59
43375-102	ASSY,ROW HANDLE,RIGHT	60
43877-101	ASSY,PEC FLY ARM,LEFT	61
43378-101	GRIP, PRESS ARM	62
43877-102	ASSY,PEC FLY ARM,RIGHT	63
42689-201	WELDMENT,FRONT BASE,BLACK,PT	64
45240-101	ASSY,SEAT STEM,CHROME	65
43380-101	ENDCAP,SQUARE,38MM	66
43381-101	MAIN UPRIGHT, TOP BEAM	67
43382-101	ENDCAP,50X75MM	68
43383-101	SLEEVE,PLASTIC	69
12286-102	STEP SPACER,METRIC,12.8ID,18L,BRNZ	70
43385-101	ASSY,MAIN UPRIGHT	71
41177-101	ENDCAP,25MMX50MM	72
43386-101	STOP,PRESS ARM	73
43387-101	ASSY,LEG CURL PVT TUBE	74
41206-101	ENDCAP,45MMX45MM	75
43388-101	ASSY,LEG CURL SUPPORT	76
41176-101	ENDCAP,50MM X50MM	77
40957-101	COLLAR,SHAFT, 13/16"	78
43378-101	GRIP, PRESS ARM	84
40364-101	ENDCAP,3/4"DIA,BLK,OUTSIDE LOCK	96
43394-101	POP PIN,ZUMA	97
40374-101	ENDCAP,MUSHROOM	98
40372-101	CHAIN,PASSING LINK,13"	99
40371-101	LINK,SPRING,5/16	100
43393-101	PIN,LOCKING,PRESS ARM,ZUMA	101
40936-101	SPACER,BUSHING,BLACK STEP	102
40439-101	SPACER,1/2" SILVER STEP	103
40366-101	ASSY,PIN,SELECTOR,TAPERED	104
43391-101	STRAP,ANKLE,ZUMA	106
43392-101	STRAP,AB,ZUMA	107
12066-101	PLUG,GUIDE ROD 1"	108
40365-101	CUSHION,WT STACK	109
40509-102	CABLE,MAIN,TW,ZUMA	110
42760-102	CABLE,LOWER-TW,ZUMA	111
42762-102	CABLE,AB/TRICEP-TW,ZUMA	112
40370-101	RETAINER,"L" CABLE	113
43426-101	FLOATING PULLEY PLATE, BLACK	114
43427-101	TUBE,ROLLER	115
43199-101	ZUMA VIDEO	117
43397-101	GUIDE ROD,CHROME,ZUMA	119
43380-101	ENDCAP,SQUARE,38MM	120
43384-101	LABLE,UPPER PULLEY	120

43369-101	LABEL, BACK BEAM	121
43468-101	MAIN PRESS ARM, ZUMA,WHITE,PT	123
43729-101	PLUG,GUIDE ROD,SOLANA	124
43145-101	ROLLER,2 1/2" X 8", PF# ROLLER095	125
CCKN038-150	SCREW,SKHD,3/8-16X1.50,BLK ZN,LK	162
41186-101	BUSHING,BRONZE,19.3MM ID	164
43389-101	KIT,HARDWARE,ZUMA,WHITE	200
40701-101	WEIGHTS,GROOVED,5#,PT	304
40702-101	WEIGHTS,GROOVED,10#,PT	305
40703-101	WEIGHTS,GROOVED,15#,PT	306
KDKN038-034	LOCKNUT,FULL,3/8-16,BLK ZN	400
WCNN050-011	WASHER, FLT, 1/2X1.375X.109	401
41178-102	ASSY,MAIN BASE,WHITE	402
41176-101	ENDCAP,50MM X50MM	403
41177-101	ENDCAP,25MMX50MM	404
41188-102	ASSY,PRESS FRAME,WHITE	405
41186-101	BUSHING,BRONZE,19.3MM ID	406
12286-102	STEP SPACER,METRIC,12.8ID,18L,BRNZ	407
41190-101	WELDMENT,FOOT PLATE,BLACK	409
41207-102	ASSY,HANDLE	413
41211-101	GRIP,FOAM	414
41215-101	KIT,HARDWARE,ZUMA/DMR	415
41216-101	PULLEY,3-1/2", GRADE A	429
41217-101	PULLEY,4-1/2", GRADE A	430
41218-101	RETAINER,CABLE,4-1/2"	431
41219-101	RETAINER,CABLE,3-1/2"	432
41220-101	SPACER,BARREL,3/8"	433
41221-101	BUMPER,RUBBER,1-1/2"	434
41201-102	ASSY,SEAT FRAME,WHITE	439
41202-101	ASSY,BACK PAD STEM,CHROME	440
41212-101	PLATE,PULLEY	441
41213-101	STOP,SUPPORT ARM	442
41214-101	PAD,SEAT/BACK	443
40893-101	POP-PIN T,1 7/8"	445
40282-101	ENDCAP,1X2,11GA	601
40293-101	ENDCAP,2"SQ,RIBBED 11GA	602
40510-101	CABLE,MULTI-HIP,ZUMA	604
40768-101	ENDCAP,2",OUTSIDE FLOOR	605
40957-101	COLLAR,SHAFT, 13/16"	608
41974-102	ASSY,SHAFT,THREADED,WHITE	610
42519-201	WELDMENT,CROSS BRACE,WHITE,PT	611
42523-201	WELDMENT,UPRIGHT,WHITE,PT	612
42527-201	WELDMENT,HIP BASE,WHITE,PT	613
42529-201	WELDMENT,HIP ARM,WHITE,PT	614
42532-201	WELDMNT,CROSS BRC HN DL TUBE,WHT,PT	615
KACN038-015	LOCKNUT,HALF,3/8-16,ZN	622
47939-102	LITERATURE KIT, ZUMA	999